



COMPONENTS MAINTENANCE MANUAL  
HAFEX BRACKETS FOR HALON ALTERNATIVE FIRE EXTINGUISHER

CE579

**COMPONENT MAINTENANCE MANUAL  
WITH  
ILLUSTRATED PARTS LIST**

**HAFEX BRACKETS FOR HALON  
ALTERNATIVE FIRE EXTINGUISHER**

**P3APP003020A**

**P3APP003020B**

**P3APP003020C**

**P3APP003020D**

**P3APP003020E**

**P3APP003020F**

**P3APP003020G**

**P3APP003020H**

**P3APP003020J**

**P3APP003020K**

THIS DOCUMENT CONTAINS TECHNOLOGY OR TECHNICAL DATA NOT  
CONTROLLED UNDER GERMAN REGULATIONS. IT MAY CONTAIN 9A610.Y OR EAR99  
TECHNICAL DATA. HOWEVER LOCAL REGULATIONS APPLY.

**26-24-03**

Rev. No.  
Rev. Date  
Page

01  
May 17/2021  
TITLE 1



COMPONENTS MAINTENANCE MANUAL  
HAFEX BRACKETS FOR HALON ALTERNATIVE FIRE EXTINGUISHER

**Copyright © 2021 umlaut engineering GmbH.**

**PROPRIETARY INFORMATION DISCLOSURE RESTRICTION**

The information contained in this document is umlaut engineering GmbH proprietary information. It is disclosed in confidence and is intended for internal use only by umlaut engineering GmbH authorized owner/lessee operators and repair stations. It is the property of umlaut engineering GmbH and must not be altered, reused, disclosed to others or reproduced for distribution or redistribution in any form, paper or electronic, without the express written consent of umlaut engineering GmbH. This includes but is not limited to its use in the creation, manufacture, development, or derivation of any repairs, modifications, spare parts, design, or configuration changes or to obtain FAA or any other government or regulatory approval to do so. If consent is given for reproduction in whole or part, this notice must appear in any such reproduction in whole.

umlaut engineering GmbH assumes no liability whatsoever, whether contractual, warranty, tort or otherwise, for unauthorized alteration or alterations not performed in accordance with umlaut engineering GmbH approved procedures.



COMPONENTS MAINTENANCE MANUAL  
HAFEX BRACKETS FOR HALON ALTERNATIVE FIRE EXTINGUISHER

HIGHLIGHTS

TO: HOLDERS OF COMPONENT MAINTENANCE MANUAL FOR HAFEX BRACKETS FOR HALON ALTERNATIVE FIRE EXTINGUISHER, ATA 26-24-03.

REVISION NO. 01

PAGE BLOCK	DESCRIPTION OF CHANGE
TITLE	TITLE 1. Part numbers and note included. TITLE 2. Year updated.
DESCRIPTION AND OPERATION	Page 4. Table 2 updated.
CLEANING	Page 4001. Procedure revised.
REPAIR	Pages 6002 thru 6008. New procedures and figures added.
REMOVAL	Pages 12001. New part numbers added in step 2A.
INSTALLATION	Pages 13001. New part numbers added in step 2A.
ILLUSTRATED PARTS LIST	Pages 10001A-00, 10001A-2 and 10001A-4. Illustration updated. Page 10001A-05. IPL updated. Pages 10001A-08 thru 10001A-13. IPL figures newly created.



COMPONENTS MAINTENANCE MANUAL  
HAFEX BRACKETS FOR HALON ALTERNATIVE FIRE EXTINGUISHER

INTENTIONALLY LEFT BLANK



COMPONENTS MAINTENANCE MANUAL  
HAFEX BRACKETS FOR HALON ALTERNATIVE FIRE EXTINGUISHER

RECORD OF REVISIONS

RE. NO.	ISSUE DATE	INSERTED		RE. NO.	ISSUE DATE	INSERTED	
		DATE	BY			DATE	BY
00	Dec 20/2019						
01	May 17/2021						

Retain this record in the front of the manual.

On receipt of revisions, insert revised page in the manual and enter revision number, date and initials.



COMPONENTS MAINTENANCE MANUAL  
HAFEX BRACKETS FOR HALON ALTERNATIVE FIRE EXTINGUISHER

INTENTIONALLY LEFT BLANK



COMPONENTS MAINTENANCE MANUAL  
HAFEX BRACKETS FOR HALON ALTERNATIVE FIRE EXTINGUISHER

LIST OF SERVICE BULLETINS

NOT APPLICABLE



COMPONENTS MAINTENANCE MANUAL  
HAFEX BRACKETS FOR HALON ALTERNATIVE FIRE EXTINGUISHER

INTENTIONALLY LEFT BLANK





COMPONENTS MAINTENANCE MANUAL  
HAFEX BRACKETS FOR HALON ALTERNATIVE FIRE EXTINGUISHER

LIST OF EFFECTIVE PAGES

<u>SUBJECT</u>	<u>PAGE</u>	<u>DATE</u>	<u>RE</u>	<u>SUBJECT</u>	<u>PAGE</u>	<u>DATE</u>	<u>RE</u>
<u>TITLE PAGE</u>				<u>DESCRIPTION AND OPERATION</u>			
	TITLE 1	May 17/2021	01		1	Dec 20/2019	00
	TITLE 2	May 17/2021	01		2	Dec 20/2019	00
					3	Dec 20/2019	00
					4	May 17/2021	01
<u>HIGHLIGHTS</u>					5	Dec 20/2019	00
	HIGHLIGHTS 1	May 17/2021	01		6	blank	00
	HIGHLIGHTS 2	blank	00				
<u>RECORD OF REVISION</u>				<u>TESTING AND FAULT ISOLATION</u>			
	ROR 1	May 17/2021	01		1001	Dec 20/2019	00
	ROR 2	blank	00		1002	blank	00
<u>SERVICE BULLETIN LIST</u>				<u>DISASSEMBLY</u>			
	SBL 1	Dec 20/2019	00		3001	Dec 20/2019	00
	SBL 2	blank	00		3002	blank	00
<u>LIST OF EFFECTIVE PAGES</u>				<u>CLEANING</u>			
	LEP 1	May 17/2021	01		4001	May 17/2021	01
	LEP 2	May 17/2021	01		4002	blank	00
<u>TABLE OF CONTENTS</u>				<u>INSPECTION/CHECK</u>			
	TOC 1	May 17/2021	01		5001	Dec 20/2019	00
	TOC 2	May 17/2021	01		5002	blank	00
<u>LIST OF ILLUSTRATIONS</u>				<u>REPAIR</u>			
					6001	May 17/2021	01
	LOI 1	May 17/2021	01		6002	May 17/2021	01
	LOI 2	blank	00		6003	May 17/2021	01
<u>LIST OF TABLES</u>					6004	May 17/2021	01
	LOT 1	Dec 20/2019	00		6005	May 17/2021	01
	LOT 2	blank	00		6006	May 17/2021	01
<u>INTRODUCTION</u>				<u>ASSEMBLY</u>			
	INTRO 1	Dec 20/2019	00		7001	Dec 20/2019	00
	INTRO 2	Dec 20/2019	00		7002	blank	00



COMPONENTS MAINTENANCE MANUAL  
HAFEX BRACKETS FOR HALON ALTERNATIVE FIRE EXTINGUISHER

LIST OF EFFECTIVE PAGES

<u>SUBJECT</u>	<u>PAGE</u>	<u>DATE</u>	<u>RE</u>	<u>SUBJECT</u>	<u>PAGE</u>	<u>DATE</u>	<u>RE</u>
<u>FITS AND CLEARANCES</u>				<u>ILLUSTRATED PART LIST</u>			
	8001	Dec 20/2019	00	IPL-TP 10001		Dec 20/2019	00
	8002	blank	00	IPL-TP 10002		blank	00
<u>SPECIAL TOOLS, FIXTURES, EQUIPMENT AND CONSUMABLES</u>				<u>IPL INTRODUCTION</u>			
	9001	Dec 20/2019	00	INTRO 10001		Dec 20/2019	00
	9002	blank	00	INTRO 10002		Dec 20/2019	00
				INTRO 10003		Dec 20/2019	00
<u>SPECIAL PROCEDURES</u>						INTRO 10004	blank 00
	11001	Dec 20/2019	00	<u>NUMERICAL INDEX</u>			
	11002	blank	00				
				NI 10001		May 17/2021	01
<u>REMOVAL</u>						NI 10002	May 17/2021 01
	12001	May 17/2021	01	<u>DETAILED PART LIST</u>			
	12002	blank	00				
				DPL 10001		Dec 20/2019	00
				DPL 10002		blank	01
				<u>FIGURES: HAFEX – HALON ALTERNATIVE FIRE EXTINGUISHER</u>			
<u>INSTALLATION</u>							
	13001	May 17/2021	01	10001A-0		May 17/2021	01
	13002	Dec 20/2019	00	10001A-1		Dec 20/2019	00
	13003	blank	00	10001A-2		May 17/2021	01
				10001A-3		Dec 20/2019	00
<u>SERVICING</u>						10001A-4	May 17/2021 01
	14001	Dec 20/2019	00	10001A-5		May 17/2021	01
	14002	blank	00	10001A-6		Dec 20/2021	00
				10001A-7		Dec 20/2019	00
<u>STORAGE INCLUDING TRANSPORTATION</u>						10001A-8	May 17/2021 01
	15001	Dec 20/2019	00	10001A-9		May 17/2021	01
	15002	blank	00	10001A-10		May 17/2021	01
<u>REWORK</u>						10001A-11	May 17/2021 01
	16001	Dec 20/2019	00	10001A-12		May 17/2021	01
	16002	blank	00	10001A-13		May 17/2021	01



COMPONENTS MAINTENANCE MANUAL  
HAFEX BRACKETS FOR HALON ALTERNATIVE FIRE EXTINGUISHER

TABLE OF CONTENTS

INTRODUCTION .....	INTRO 1
1. GENERAL .....	INTRO 1
2. MANUFACTURING .....	INTRO 1
3. LAYOUT OF THE MANUAL .....	INTRO 1
4. REVISION SERVICE .....	INTRO 1
5. VALIDATION OF OPERATIONS DESCRIBED IN THIS MANUAL.....	INTRO 2
6. WARNINGS, CAUTIONS, NOTES .....	INTRO 2
7. LIST OF ABBREVIATIONS .....	INTRO 2
DESCRIPTION AND OPERATION .....	1
1. GENERAL .....	1
2. DESCRIPTION .....	2
3. TECHNICAL DATA .....	3
TESTING AND FAULT ISOLATION .....	1001
DISASSEMBLY.....	3001
CLEANING .....	4001
1. GENERAL .....	4001
INSPECTION/CHECK.....	5001
1. GENERAL .....	5001
2. PROCEDURE.....	5001
A. MONTHLY INSPECTION .....	5001
REPAIR .....	6001
1. GENERAL .....	6001
2. PROCEDURE.....	6001
A. REPLACEMENT OF THE HAFEX BRACKET .....	6001
A. REPLACEMENT OF THE HAFEX STRAPS .....	6001
A. REPLACEMENT OF SILICONE FOAM PAD .....	6002
A. REPLACEMENT OF THE GROMMET.....	6002
A. REPLACEMENT OF THE SHRINK SLEEVE .....	6005
ASSEMBLY .....	7001
FITS AND CLEARANCES .....	8001
SPECIAL TOOLS, FIXTURES, EQUIPMENT AND CONSUMABLES .....	9001
SPECIAL PROCEDURE .....	11001



COMPONENTS MAINTENANCE MANUAL  
HAFEX BRACKETS FOR HALON ALTERNATIVE FIRE EXTINGUISHER

TABLE OF CONTENTS

REMOVAL ..... 12001

    1. GENERAL ..... 12001

    2. PROCEDURE..... 12001

    A. REMOVAL OF THE EXTINGUISHER AND THE BRACKET..... 12001

INSTALLATION..... 13001

    1. GENERAL ..... 13001

    2. PROCEDURE..... 13001

    A. INSTALLATION OF THE EXTINGUISHER AND THE BRACKET ..... 13001

SERVICING ..... 14001

STORAGE INCLUDING TRANSPORTATION ..... 15001

    1. GENERAL ..... 15001

    2. PROCEDURE ..... 15001

    A. STORAGE ..... 15001

REWORK ..... 16001

ILLUSTRATED PARTS LIST ..... IPL-TP 10001

IPL INTRODUCTION ..... INTRO 10001

NUMERICAL INDEX ..... NI 10001

DETAILED PART LIST ..... DPL 10001

FIGURE 1: BRACKET, HAFEX ..... 10001A-0

FIGURE 1A: BRACKET, HAFEX ..... 10001A-2

FIGURE 1B: BRACKET, HAFEX ..... 10001A-4

FIGURE 1C: BRACKET, HAFEX ..... 10001A-6

FIGURE 1D: BRACKET, HAFEX ..... 10001A-8

FIGURE 1E: BRACKET, HAFEX ..... 10001A-10

FIGURE 1F: BRACKET, HAFEX ..... 10001A-12



COMPONENTS MAINTENANCE MANUAL  
HAFEX BRACKETS FOR HALON ALTERNATIVE FIRE EXTINGUISHER

LIST OF ILLUSTRATIONS

<u>TITLE</u>	<u>FIGURE</u>	<u>PAGE</u>
COMPONENTS AND DIMENSIONS – HAFEX BRACKETS FOR HALON ALTERNATIVE FIRE EXTINGUISHER	FIGURE 1	5
REMOVAL OF THE GROMMET	FIGURE 6001	6003
INSTALLATION OF THE GROMMET	FIGURE 6002	6004
INSTALLATION OF THE SHRINK SLEEVE	FIGURE 6003	6005
BRACKET, HAFEX	FIGURE 1	10001A – 0
BRACKET, HAFEX	FIGURE 1A	10001A – 2
BRACKET, HAFEX	FIGURE 1B	10001A – 4
BRACKET, HAFEX	FIGURE 1C	10001A – 6
BRACKET, HAFEX	FIGURE 1D	10001A – 8
BRACKET, HAFEX	FIGURE 1E	10001A – 10
BRACKET, HAFEX	FIGURE 1F	10001A – 12



COMPONENTS MAINTENANCE MANUAL  
HAFEX BRACKETS FOR HALON ALTERNATIVE FIRE EXTINGUISHER

INTENTIONALLY LEFT BLANK



COMPONENTS MAINTENANCE MANUAL  
HAFEX BRACKETS FOR HALON ALTERNATIVE FIRE EXTINGUISHER

LIST OF TABLES

<u>TITLE</u>	<u>FIGURE</u>	<u>PAGE</u>
LIST OF ABBREVIATIONS	TABLE 1	INTRO 2
CONFIGURATION AND WEIGHTS	TABLE 2	4



COMPONENTS MAINTENANCE MANUAL  
HAFEX BRACKETS FOR HALON ALTERNATIVE FIRE EXTINGUISHER

INTENTIONALLY LEFT BLANK





COMPONENTS MAINTENANCE MANUAL  
HAFEX BRACKETS FOR HALON ALTERNATIVE FIRE EXTINGUISHER

INTRODUCTION

**\*\* FOR PNs P3APP003020A P3APP003020B P3APP003020C P3APP003020D P3APP003020E  
P3APP003020F P3APP003020G P3APP003020H P3APP003020J P3APP003020K**

TASK 26-24-03-871-802-A01

Introduction

**CAUTION:** THIS MANUAL PROVIDES THE NECESSARY INFORMATION TO PERFORM THE REPAIR IN AN INTERMEDIATE LEVEL MAINTENANCE SHOP (I - LEVEL).

THE THIRD LEVEL OF MAINTENANCE (D - LEVEL) IS NOT APPLICABLE IN THIS MANUAL.

1. General

- A. This manual 26-24-03 (Internal number: - P3DOC003242) has been compiled entirely from a SGML source in accordance with the requirements set out in the specification ATA iSpec 2200. It provides data as necessary for an approved repairer to restore an unserviceable HAFEX BRACKETS FOR HALON ALTERNATIVE FIRE EXTINGUISHER to a serviceable condition.

2. Manufacturing

- A. The HAFEX BRACKETS FOR HALON ALTERNATIVE FIRE EXTINGUISHER are manufactured and product supported by:

umlaut engineering GmbH

(FSCM CE579)

Blohmstraße 12

21079 Hamburg

Germany

E-Mail: [HAFEX@umlaut.com](mailto:HAFEX@umlaut.com)

Internet: [www.umlaut.com](http://www.umlaut.com)

3. Layout of the manual

- A. This manual contains a general description and operation followed by data for testing, check and repair instructions of the HAFEX BRACKETS FOR HALON ALTERNATIVE FIRE EXTINGUISHER. An **ILLUSTRATED PARTS LIST** is also included.

4. Revision service

- A. This manual 26-24-03 (Internal number: - P3DOC003242) will be updated as required by revisions. Service Bulletins (SBs) can be issued separately. Their effect on the manual will, however, be evident by reissue of the SB as applicable.



COMPONENTS MAINTENANCE MANUAL  
HAFEX BRACKETS FOR HALON ALTERNATIVE FIRE EXTINGUISHER

5. Validation of operations described in this manual

- A. The maintenance operations described in this manual have been checked in manufacturer's workshops by an exact carrying out of dismantling, reassembly, test and repair instructions which are detailed in this document.  
These operations are those in use at the latest revision date of the document.

6. Warnings, Cautions, Notes

- A. **WARNING:** Warnings call attention to use of materials, processes, methods, procedures or limits which must be precisely adhered to in order to prevent injury or death of persons.
- B. **CAUTION:** Cautions call attention to use of materials, processes, methods, procedures or limits which must be precisely adhered to in order to prevent damage of equipment.
- C. **NOTE:** Notes call attention to methods, which make the job easier.

7. List of Abbreviations

—	A dash before an item number indicates the item
AR	As required
ASSY	Assembly
EFF	Effectivity
FIG	Figure
NO.	Number
NP	Not procurable
RF	Reference. Indicates those parts which have their requirements listed elsewhere in the parts list
UPA	Units per Assembly

List of Abbreviations  
TABLE 1



COMPONENTS MAINTENANCE MANUAL  
HAFEX BRACKETS FOR HALON ALTERNATIVE FIRE EXTINGUISHER

DESCRIPTION AND OPERATION

**\*\* FOR PNs P3APP003020A P3APP003020B P3APP003020C P3APP003020D P3APP003020E  
P3APP003020F P3APP003020G P3APP003020H P3APP003020J P3APP003020K**

TASK 26-24-03-870-801-A01

General

This manual provides overhaul and maintenance instructions for the HAFEX BRACKETS FOR HALON ALTERNATIVE FIRE EXTINGUISHER.



COMPONENTS MAINTENANCE MANUAL  
HAFEX BRACKETS FOR HALON ALTERNATIVE FIRE EXTINGUISHER

**\*\* FOR PNs P3APP003020A P3APP003020B P3APP003020C P3APP003020D P3APP003020E  
P3APP003020F P3APP003020G P3APP003020H P3APP003020J P3APP003020K**

TASK 26-24-03-870-802-A01

Description

1. The brackets in this document are approved to be used for fixation of HAFEX - HALON ALTERNATIVE FIRE EXTINGUISHER of type P3APP003010 (see CMM 26-24-01 and CMM 26-24-02 for details).
2. The brackets are approved for installation in different aircraft and rotorcraft types.

NOTE: Check with design organization responsible for the installation, if the intended bracket - extinguisher combination is approved for your aircraft.

3. The standard brackets have a polymeric body and two straps, while the metal brackets have a metallic body, one strap and partially a neck support. All bracket variants in this CMM except P3APP003020D are UL approved.



COMPONENTS MAINTENANCE MANUAL  
HAFEX BRACKETS FOR HALON ALTERNATIVE FIRE EXTINGUISHER

**\*\* FOR PNs P3APP003020A P3APP003020B P3APP003020C P3APP003020D P3APP003020E  
P3APP003020F P3APP003020G P3APP003020H P3APP003020J P3APP003020K**

TASK 26-24-03-870-803-A01

Technical data

1. Life time
  - A. Bracket — On condition
  - B. Decommissioning (End of Lifetime)



COMPONENTS MAINTENANCE MANUAL  
HAFEX BRACKETS FOR HALON ALTERNATIVE FIRE EXTINGUISHER

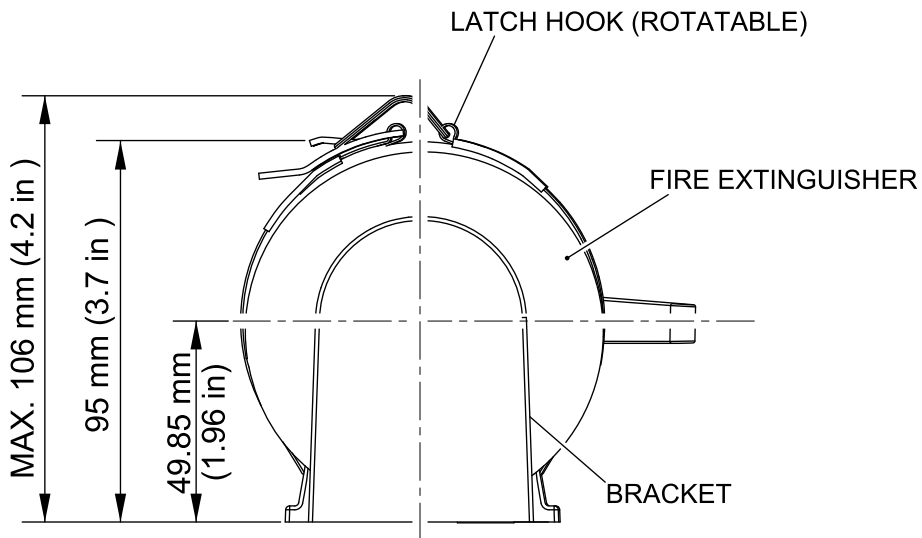
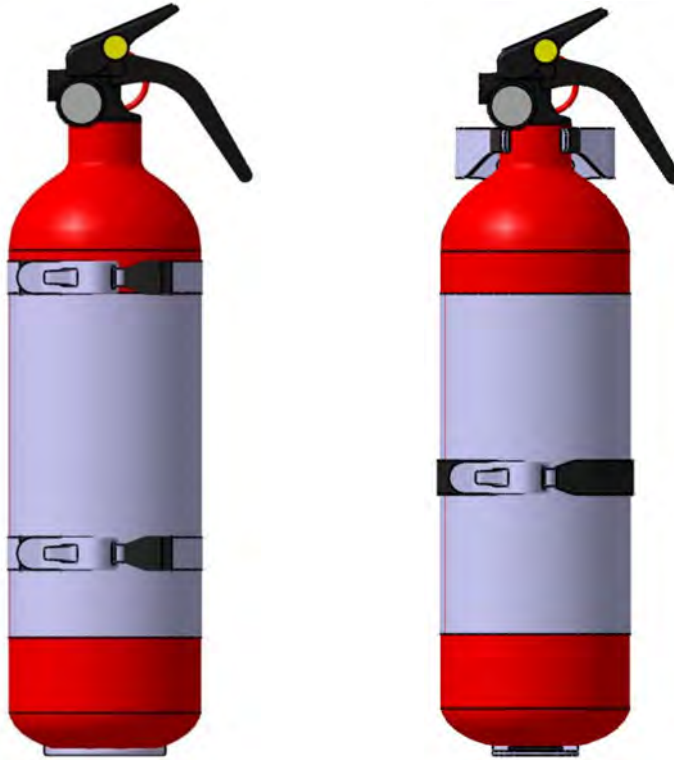
2. Configurations, Components and Dimensions

PART NUMBER	GROSS WEIGHT (MIN/MAX)	COLOR CODING	CONFIGURATION
P3APP003020A	0.169 KG (0.373 LBS)	Light grey	2-strap design, poly- meric body
P3APP003020B	0.174 KG (0.384 LBS)	Light grey	Standard 2-strap design, polymeric body
P3APP003020C	0.200 KG (0.441 LBS)	Signal red	Customized 1-strap design, metallic body
P3APP003020D	0.213 KG (0.469 LBS)	Blank metal	Customized 1-strap design, metallic body
P3APP003020E	0.174 KG (0.384 LBS)	Light grey	Customized 2-strap design, polymeric body
P3APP003020F	0.186 KG (0.410 LBS)	Signal red	Customized 1-strap design, metallic body
P3APP003020G	0.174 KG (0.384 LBS)	Light grey	Customized 2-strap design, polymeric body
P3APP003020H	0.197 KG (0.434 LBS)	Signal red	Customized 1-strap design, metallic body
P3APP003020J	0.213 KG (0.469 LBS)	Jet black	Customized 1-strap design, metallic body
P3APP003020K	0.144 KG (0.317 LBS)	Signal red	Customized 1-strap design, metallic body

Configurations and weights  
TABLE 2



COMPONENTS MAINTENANCE MANUAL  
HAFEX BRACKETS FOR HALON ALTERNATIVE FIRE EXTINGUISHER



26240301

COMPONENTS – HAFEX BRACKETS FOR HALON ALTERNATIVE FIRE EXTINGUISHER  
FIGURE 1/GRAPHIC 26-24-03-991-001-A01



COMPONENTS MAINTENANCE MANUAL  
HAFEX BRACKETS FOR HALON ALTERNATIVE FIRE EXTINGUISHER

INTENTIONALLY LEFT BLANK





COMPONENTS MAINTENANCE MANUAL  
HAFEX BRACKETS FOR HALON ALTERNATIVE FIRE EXTINGUISHER

TESTING AND FAULT ISOLATION

NOT APPLICABLE



COMPONENTS MAINTENANCE MANUAL  
HAFEX BRACKETS FOR HALON ALTERNATIVE FIRE EXTINGUISHER

INTENTIONALLY LEFT BLANK



**umlaut**

COMPONENTS MAINTENANCE MANUAL  
HAFEX BRACKETS FOR HALON ALTERNATIVE FIRE EXTINGUISHER

DISASSEMBLY

NOT APPLICABLE



COMPONENTS MAINTENANCE MANUAL  
HAFEX BRACKETS FOR HALON ALTERNATIVE FIRE EXTINGUISHER

INTENTIONALLY LEFT BLANK



COMPONENTS MAINTENANCE MANUAL  
HAFEX BRACKETS FOR HALON ALTERNATIVE FIRE EXTINGUISHER

CLEANING

**\*\* FOR PNs P3APP003020A P3APP003020B P3APP003020C P3APP003020D P3APP003020E  
P3APP003020F P3APP003020G P3APP003020H P3APP003020J P3APP003020K**

TASK 26-24-03-100-801-A01

Cleaning

1. General

- A. To remove grease and dust from the bracket, a cotton wiper (damp if necessary) is sufficient. Wipe off any residues of the cleaning agent from the bracket.

NOTE: Usage of cleaning agents is restricted to Isopropyl Alcohol and mild liquid detergents.



COMPONENTS MAINTENANCE MANUAL  
HAFEX BRACKETS FOR HALON ALTERNATIVE FIRE EXTINGUISHER

INTENTIONALLY LEFT BLANK



COMPONENTS MAINTENANCE MANUAL  
HAFEX BRACKETS FOR HALON ALTERNATIVE FIRE EXTINGUISHER

INSPECTION/CHECK

**\*\* FOR PNs P3APP003020A P3APP003020B P3APP003020C P3APP003020D P3APP003020E  
P3APP003020F P3APP003020G P3APP003020H P3APP003020J P3APP003020K**

TASK 26-24-03-200-801-A01

Inspection and Check of the HAFEX Brackets

1. General
  - A. Self-explanatory
2. Procedure

Subtask 26-24-03-200-001-A01

- A. Monthly Inspection

**CAUTION: BRACKETS THAT DO NOT MEET INSPECTION REQUIREMENTS MUST BE REPLACED OR REPAIRED.**

- (1) Make sure that on the bracket:
  - there are no visual damages of the bracket which could impair functionality or safety. If the damages are not repairable, discard the damaged part.
  - there is no corrosion and wear of the bracket which could impair functionality or safety. If the corrosion or wear might affect functionality or safety, discard the part.
  - the correct attachment of the bracket. If the bracket is not attached correctly, check the screw joints.



COMPONENTS MAINTENANCE MANUAL  
HAFEX BRACKETS FOR HALON ALTERNATIVE FIRE EXTINGUISHER

INTENTIONALLY LEFT BLANK





COMPONENTS MAINTENANCE MANUAL  
HAFEX BRACKETS FOR HALON ALTERNATIVE FIRE EXTINGUISHER

REPAIR

**\*\* FOR PNs P3APP003020A P3APP003020B P3APP003020C P3APP003020D P3APP003020E  
P3APP003020F P3APP003020G P3APP003020H P3APP003020J P3APP003020K**

TASK 26-24-03-300-801-A01

1. General

- A. Parts that do not meet inspection requirements must be replaced. If a strap of the bracket is damaged, it can be replaced.

**NOTE:** Prior to starting repair operations, personnel must read carefully all instructions and study the illustration applicable to the equipment undergoing repair.

2. Procedure

Subtask 26-24-03-300-001-A01

A. Replacement of the HAFEX Bracket

**CAUTION:** THE HAFEX - HALON ALTERNATIVE FIRE EXTINGUISHER HAS TO BE INSTALLED WITH LATCH OPENING MECHANISM ON AISLE FAR SIDE. PERSONS CAN ACCIDENTALLY OPEN THE MECHANISM.

- (1) For removal of extinguisher and brackets, see chapter **REMOVAL**.
- (2) For installation of extinguisher and new brackets, see chapter **INSTALLATION**.

Subtask 26-24-03-300-002-A01

A. Replacement of the HAFEX Straps

**CAUTION:** THE HAFEX - HALON ALTERNATIVE FIRE EXTINGUISHER HAS TO BE INSTALLED WITH LATCH OPENING MECHANISM ON AISLE FAR SIDE. PERSONS CAN ACCIDENTALLY OPEN THE MECHANISM.

- (1) Removal of the HAFEX straps
  - (a) Remove extinguisher and bracket. See chapter **REMOVAL**.
  - (b) Carefully remove the damaged strap from the bracket.
  - (c) When you remove the damaged strap, record the installed direction of the hook and the plate of the damaged strap.
- (2) Installation of the HAFEX straps
  - (a) Install the hook and the plate of the spare strap as recorded during the removal.
  - (b) Carefully insert the spare strap into the lugs of the bracket.
  - (c) Install the repaired bracket and extinguisher. See chapter **INSTALLATION**.



COMPONENTS MAINTENANCE MANUAL  
HAFEX BRACKETS FOR HALON ALTERNATIVE FIRE EXTINGUISHER

**\*\* FOR PNs P3APP003020C P3APP003020D P3APP003020F P3APP003020J**

Subtask 26-24-03-300-003-A01

A. Replacement of Silicone Foam Pad

- (1) Removal of the damaged silicone foam pad
  - (a) Remove the extinguisher and bracket, see chapter **REMOVAL**.
  - (b) Using a fiber scraper, carefully pull the pad from the bracket body.
  - (c) Use your fingers to completely remove the pad from the bracket.
  - (d) Clean the surface of the bracket body carefully from remaining adhesives by using acetone or isopropyl alcohol.
- (2) Installation of the new silicon foam pad
  - (a) Cut the silicon foam strap into the right size.
  - (b) Remove the foil from the adhesive side of the pad.
  - (c) Carefully position the pad and place it on the bracket.
  - (d) Sweep over the pad to evenly attach it to the bracket body.
  - (e) Install the repaired bracket and extinguisher. See chapter **INSTALLATION**.

**\*\* FOR PNs P3APP003020C P3APP003020D P3APP003020F P3APP003020H  
P3APP003020J P3APP003020K**

Subtask 26-24-03-300-004-A01

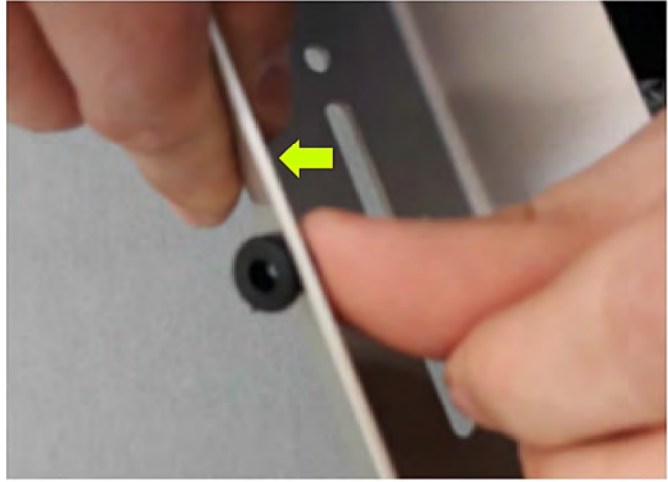
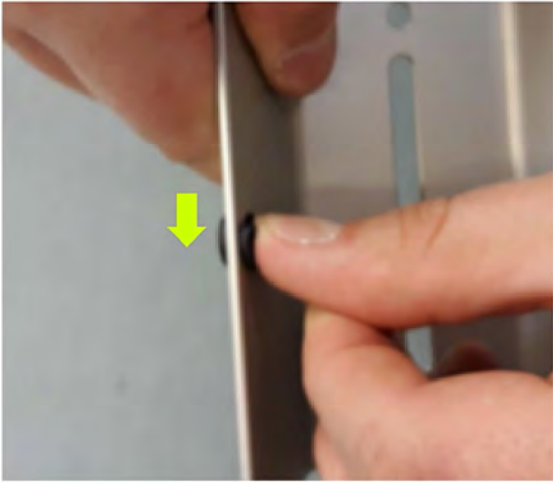
A. Replacement of the Grommet

**WARNING: DO NOT USE SHARP OBJECTS FOR THE REMOVAL.**

- (1) Removal of the grommet
  - (a) Find the damaged grommet.
  - (b) Carefully push at the center of the grommet.
  - (c) The grommet will get released from the hole.
- (2) Installation of the new grommet
  - (a) Find and put the new grommet in the hole.
  - (b) Carefully squeeze and deform the grommet.
  - (c) Put the grommet at the hole position.
  - (d) Push the grommet into the respected hole.



COMPONENTS MAINTENANCE MANUAL  
HAFEX BRACKETS FOR HALON ALTERNATIVE FIRE EXTINGUISHER

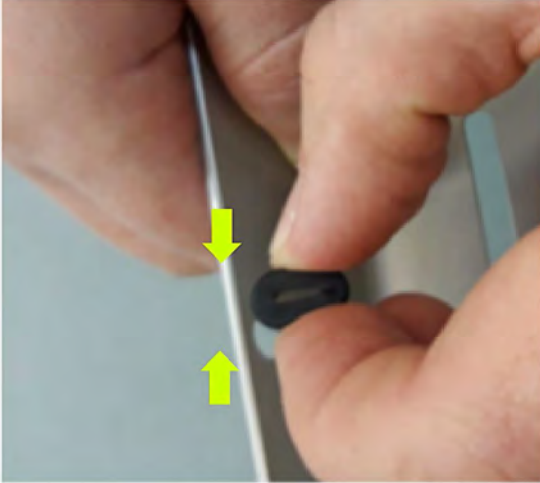


2624036001

REMOVAL OF THE GROMMET  
FIGURE 6001/GRAPHIC 26-24-03-991-002-A01



COMPONENTS MAINTENANCE MANUAL  
HAFEX BRACKETS FOR HALON ALTERNATIVE FIRE EXTINGUISHER



2624036002

INSTALLATION OF THE GROMMET  
FIGURE 6002/GRAPHIC 26-24-03-991-003-A01



COMPONENTS MAINTENANCE MANUAL  
HAFEX BRACKETS FOR HALON ALTERNATIVE FIRE EXTINGUISHER

**\*\* FOR PNs P3APP003020D P3APP003020J**

Subtask 26-24-03-300-005-A01

A. Replacement of the Shrink Sleeve

- (1) Removal of the shrink sleeve
  - (a) Carefully lift the edge of the damaged shrink sleeve.
  - (b) Cut the shrink sleeve carefully with a sharp blade or scissors without any damage to the surface of the bracket body.
- (2) Installation of the new shrink sleeve
  - (a) Put the new shrink sleeve in accordance with the drawing.
  - (b) Shrink it with an industrial dryer with temperature at 100°C (212°F) to 150°C (302°F).
  - (c) Make sure that you move the bracket continuously to apply the heat equally at all the specified area.
  - (d) Use your hand to make sure that the shrink sleeve is not movable.



COMPONENTS MAINTENANCE MANUAL  
HAFEX BRACKETS FOR HALON ALTERNATIVE FIRE EXTINGUISHER



2624036003

INSTALLATION OF THE SHRINK SLEEVE  
FIGURE 6003/GRAPHIC 26-24-03-991-004-A01



**umlaut**

COMPONENTS MAINTENANCE MANUAL  
HAFEX BRACKETS FOR HALON ALTERNATIVE FIRE EXTINGUISHER

ASSEMBLY

NOT APPLICABLE



COMPONENTS MAINTENANCE MANUAL  
HAFEX BRACKETS FOR HALON ALTERNATIVE FIRE EXTINGUISHER

INTENTIONALLY LEFT BLANK





**umlaut**

COMPONENTS MAINTENANCE MANUAL  
HAFEX BRACKETS FOR HALON ALTERNATIVE FIRE EXTINGUISHER

FITS AND CLEARANCES

NOT APPLICABLE



COMPONENTS MAINTENANCE MANUAL  
HAFEX BRACKETS FOR HALON ALTERNATIVE FIRE EXTINGUISHER

INTENTIONALLY LEFT BLANK



COMPONENTS MAINTENANCE MANUAL  
HAFEX BRACKETS FOR HALON ALTERNATIVE FIRE EXTINGUISHER

SPECIAL TOOLS, FIXTURES, EQUIPMENT AND CONSUMABLES

NOT APPLICABLE



COMPONENTS MAINTENANCE MANUAL  
HAFEX BRACKETS FOR HALON ALTERNATIVE FIRE EXTINGUISHER

INTENTIONALLY LEFT BLANK



COMPONENTS MAINTENANCE MANUAL  
HAFEX BRACKETS FOR HALON ALTERNATIVE FIRE EXTINGUISHER

SPECIAL PROCEDURES

NOT APPLICABLE



COMPONENTS MAINTENANCE MANUAL  
HAFEX BRACKETS FOR HALON ALTERNATIVE FIRE EXTINGUISHER

INTENTIONALLY LEFT BLANK



COMPONENTS MAINTENANCE MANUAL  
HAFEX BRACKETS FOR HALON ALTERNATIVE FIRE EXTINGUISHER

REMOVAL

**\*\* FOR PNs P3APP003020A P3APP003020B P3APP003020C P3APP003020D P3APP003020E  
P3APP003020F P3APP003020G P3APP003020H P3APP003020J P3APP003020K**

Removal of the HAFEX Brackets

1. General
  - A. Self-explanatory
2. Procedure

**\*\* FOR PNs P3APP003020C P3APP003020D P3APP003020F P3APP003020H  
P3APP003020J P3APP003020K**

- A. Removal of the Extinguisher and the Bracket
  - (1) Remove the extinguisher from the bracket as follows:
    - (a) Pull the latch hook and open the strap.
    - (b) Remove the extinguisher from the bracket.
  - (2) Remove the bracket as follows:
    - (a) Remove the screws and the bracket from the structure.

**\*\* FOR PNs P3APP003020A P3APP003020B P3APP003020E P3APP003020G**

- A. Removal of the Extinguisher and the Bracket
  - (1) Remove the extinguisher from the bracket as follows:
    - (a) Pull the latch hook of the first strap.
    - (b) Secure the extinguisher with one hand.
    - (c) Open the second strap.
    - (d) Remove the extinguisher.
  - (2) Remove the bracket as follows:
    - (a) Remove the screws and the bracket from the structure.



COMPONENTS MAINTENANCE MANUAL  
HAFEX BRACKETS FOR HALON ALTERNATIVE FIRE EXTINGUISHER

INTENTIONALLY LEFT BLANK





COMPONENTS MAINTENANCE MANUAL  
HAFEX BRACKETS FOR HALON ALTERNATIVE FIRE EXTINGUISHER

INSTALLATION

**\*\* FOR PNs P3APP003020A P3APP003020B P3APP003020C P3APP003020D P3APP003020E  
P3APP003020F P3APP003020G P3APP003020H P3APP003020J P3APP003020K**

Installation of the HAFEX Brackets

1. General
  - A. Self-explanatory
2. Procedure

**\*\* FOR PNs P3APP003020C P3APP003020D P3APP003020F P3APP003020H  
P3APP003020J P3APP003020K**

- A. Installation of the Extinguisher and the Bracket
  - (1) Install the bracket as follows:
    - (a) Position the bracket on the structure.
    - (b) Install the screws.
  - (2) Install the extinguisher on the bracket as follows:
    - (a) Place the extinguisher in the bracket with the face of the pressure gauge facing outwards.
    - (b) Align the position of the latch hook.
    - (c) Close the strap.

**\*\* FOR PNs P3APP003020A P3APP003020B P3APP003020E P3APP003020G**

- A. Installation of the Extinguisher and the Bracket
  - (1) Install the bracket as follows:
    - (a) Position the bracket on the structure.
    - (b) Install the screws.
    - (c) Align the position of the latch hooks.

NOTE: Before tightening the screws, make sure, that the positions of the latches are correct.
    - (d) Tighten the screws.
  - (2) Install the extinguisher on the bracket as follows:
    - (a) Place the latch hook of the first strap into the latch plate, but do not close.
    - (b) Place the extinguisher in the bracket with the face of the pressure gauge facing outwards.



COMPONENTS MAINTENANCE MANUAL  
HAFEX BRACKETS FOR HALON ALTERNATIVE FIRE EXTINGUISHER

- (c) Secure the extinguisher with one hand.
- (d) Close the straps.



COMPONENTS MAINTENANCE MANUAL  
HAFEX BRACKETS FOR HALON ALTERNATIVE FIRE EXTINGUISHER

SERVICING

NOT APPLICABLE



COMPONENTS MAINTENANCE MANUAL  
HAFEX BRACKETS FOR HALON ALTERNATIVE FIRE EXTINGUISHER

INTENTIONALLY LEFT BLANK



COMPONENTS MAINTENANCE MANUAL  
HAFEX BRACKETS FOR HALON ALTERNATIVE FIRE EXTINGUISHER

STORAGE INCLUDING TRANSPORTATION

**\*\* FOR PNs P3APP003020A P3APP003020B P3APP003020C P3APP003020D P3APP003020E  
P3APP003020F P3APP003020G P3APP003020H P3APP003020J P3APP003020K**

TASK 26-24-03-550-801-A01

Storage Data

1. General
  - A. Self-explanatory
2. Procedure
  - Subtask 26-24-03-550-001-A01
    - A. Storage
      - (1) Brackets should be kept preferably in dry atmosphere in any attitude.
      - (2) Permanent storage temperature: -40°C (-40°F) to +49°C (+120°F).
      - (3) Decommissioning (End of lifetime).



COMPONENTS MAINTENANCE MANUAL  
HAFEX BRACKETS FOR HALON ALTERNATIVE FIRE EXTINGUISHER

INTENTIONALLY LEFT BLANK



**umlaut**

COMPONENTS MAINTENANCE MANUAL  
HAFEX BRACKETS FOR HALON ALTERNATIVE FIRE EXTINGUISHER

REWORK

NOT APPLICABLE

**26-24-03**

Rev. No.  
Rev. Date  
Page

00  
Dec 20/2019  
16001



COMPONENTS MAINTENANCE MANUAL  
HAFEX BRACKETS FOR HALON ALTERNATIVE FIRE EXTINGUISHER

INTENTIONALLY LEFT BLANK





COMPONENTS MAINTENANCE MANUAL  
HAFEX BRACKETS FOR HALON ALTERNATIVE FIRE EXTINGUISHER

**ILLUSTRATED PARTS LIST**



COMPONENTS MAINTENANCE MANUAL  
HAFEX BRACKETS FOR HALON ALTERNATIVE FIRE EXTINGUISHER

INTENTIONALLY LEFT BLANK



COMPONENTS MAINTENANCE MANUAL  
HAFEX BRACKETS FOR HALON ALTERNATIVE FIRE EXTINGUISHER

## IPL INTRODUCTION

### 1. General Information

- A. This ILLUSTRATED PARTS LIST (IPL) contains the complete listing of all replaceable major assemblies of the HAFEX BRACKETS FOR HALON ALTERNATIVE FIRE EXTINGUISHER

### 2. Organization

- A. The IPL is divided into the following sections:

(1) Introduction

The introduction contains all explanatory information for the individual sections as is necessary for using the IPL. The introduction further contains a list of manufacturer codes together with manufacturer names and addresses.

(2) Numerical Index

This section contains a listing of part numbers of all items listed in the detailed parts list in alphanumerical sequence with cross-reference to respective Fig./Item Nos. as well as units per assy.

The order of precedence in beginning the part number arrangement at the outmost left-hand (first) position is as follows:

- letters A through Z (except 'O' to be considered as zero)
- numerals 0 to 9.

For subsequent rows, the order is:

- letters A through Z (except 'O' to be considered as zero)
- numerals 0 to 9.

(3) Detailed Parts List

(a) Column "FIG. / ITEM"

The first number in the first line of a page indicates the number of the figure illustrating the part. The second number indicates the item number by which the part is identified on the illustration. A dash placed before the item number indicates that the part is not illustrated.

(b) Column "PART NUMBER"

The part number column contains the original manufacturers' part numbers. When standard part numbers are used, the standard part number is listed in this column.

(c) Column "AIRLINE STOCK NO."

This column is left blank for airline internal use.

(d) Column "NOMENCLATURE"

- Indenture System



COMPONENTS MAINTENANCE MANUAL  
HAFEX BRACKETS FOR HALON ALTERNATIVE FIRE EXTINGUISHER

The indenture system used in the Detailed Parts List shows the relationship of parts and assemblies to next higher assemblies as follows:

1234567

Assembly

Attaching Parts for Assembly

\* \* \*

. Detail Parts for Assembly

. . Subassembly

. . Attaching Parts for Subassembly

\* \* \*

. . . Detail Parts for Subassembly

. . . . Sub-Subassembly

. . . . Attaching Parts for Sub-Subassembly

\* \* \*

. . . . . Detail Parts for Sub-Subassembly

– Attaching parts

The attaching parts are shown directly after the assembly or the part thereof. They are listed below the same indenture number as the item they attach, and are preceded by the words 'ATTACHING PARTS' and are followed by three asterisks.

– Vendor Codes

Parts manufactured by companies other than umlaut engineering GmbH are identified by an applicable vendor code following the nomenclature.

Vendor codes are in accordance with current issues of U.S. Federal Supply Codes for Manufacturer Handbooks H4-1, H4-2 and H4-3 and/ or in accordance with applicable European regulations and are preceded by the letter 'V'. Standard parts such as AN, DIN, MS etc. are not identified by a vendor code. When there is no known vendor code, the abbreviated name of the vendor is listed in lieu of the vendor code.

(e) Column “EFF CODE”

Alpha variants A-Z (except I and O) can be assigned to an existing item number in the FIG-ITEM column to show configuration differences, optional parts, etc. Alpha variant items are not shown on the illustration when the appearance and location of the alpha variant are the same as the basic item. In the EFF CODE column, part



COMPONENTS MAINTENANCE MANUAL  
HAFEX BRACKETS FOR HALON ALTERNATIVE FIRE EXTINGUISHER

applicability is indicated with respect to the top assemblies. A part shown with an effectivity code is only used in the top assembly variant which has the same effectivity code. The absence of a code indicates that the part is common to all variants of the top assembly.

(f) Column “UNITS PER ASSY”

This column contains the quantity of a specific catalog sequence numbered part required in the build sequence of only one (where more than one exists), next higher sub-sub-assembly, sub-assembly, assembly, or installation level as applicable. For bulk items, the letters 'AR' are inserted in the quantity column to indicate 'As Required'. Whenever items are listed for reference purposes, 'RF' is inserted.

3. How to use the IPL

A. If the part number is known

- (1) Find the part number in the numerical index and note figure and item number.
- (2) Turn to figure.
- (3) Locate the part on the illustration and in the parts list by item number.

B. If the part number is unknown

- (1) Please refer to Figure 1A and look for the figure item number of the part.
- (2) Note the figure item number.
- (3) Turn to the figure item list and find the corresponding part number.

C. umlaut engineering GmbH Part Numbering System

- (1) Each part, assembly and installation is assigned a "Part" number consisting of the basic engineering drawing number. Supplementary numbers appended to the engineering drawing number identify parts, assemblies or installations which are detailed.



COMPONENTS MAINTENANCE MANUAL  
HAFEX BRACKETS FOR HALON ALTERNATIVE FIRE EXTINGUISHER

INTENTIONALLY LEFT BLANK



COMPONENTS MAINTENANCE MANUAL  
HAFEX BRACKETS FOR HALON ALTERNATIVE FIRE EXTINGUISHER

NUMERICAL INDEX

PART NUMBER	AIRLINE STOCK NUMBER	FIG.	ITEM	TTL REQ
P3APP003020A		1	001A	RF
P3APP003020B		1A	001A	RF
P3APP003020C		1D	001A	RF
P3APP003020D		1B	001A	RF
P3APP003020E		1A	001A	RF
P3APP003020F		1C	001A	RF
P3APP003020G		1A	001C	RF
P3APP003020H		1E	001A	RF
P3APP003020J		1B	001B	RF
P3APP003020K		1F	001A	RF
P3APP003041C		1	10	2
P3APP003041C		1A	10	2
P3APP003041D		1B	10	1
P3PRT000845A		1B	20	4
ABS5006B2E		1B	30	AR
P3PRT000288B		1B	40	2
P3APP003041E		1C	10	1
P3PRT000845A		1C	20	4
ABS5006B2G		1C	30	AR
P3APP003041D		1D	10	1
P3PRT000845A		1D	20	4
ABS5006B2E		1D	30	AR



COMPONENTS MAINTENANCE MANUAL  
HAFEX BRACKETS FOR HALON ALTERNATIVE FIRE EXTINGUISHER

PART NUMBER	AIRLINE STOCK NUMBER	FIG.	ITEM	TTL REQ
P3APP003041D		1E	10	1
P3PRT000845A		1E	20	4
P3APP003041E		1F	10	1
P3PRT000845A		1F	20	4





COMPONENTS MAINTENANCE MANUAL  
HAFEX BRACKETS FOR HALON ALTERNATIVE FIRE EXTINGUISHER

**DETAILED PARTS LIST**

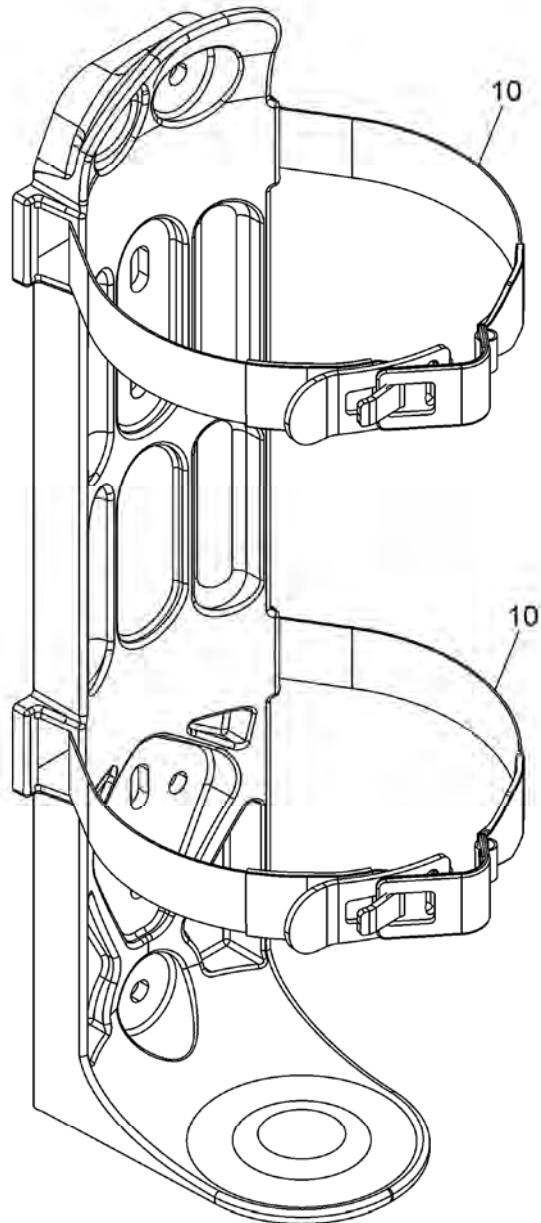


COMPONENTS MAINTENANCE MANUAL  
HAFEX BRACKETS FOR HALON ALTERNATIVE FIRE EXTINGUISHER

INTENTIONALLY LEFT BLANK



COMPONENTS MAINTENANCE MANUAL  
HAFEX BRACKETS FOR HALON ALTERNATIVE FIRE EXTINGUISHER



BRACKET, HAFEX  
FIGURE 1/GRAPHIC 26-24-03-950-001-A01

2624030101



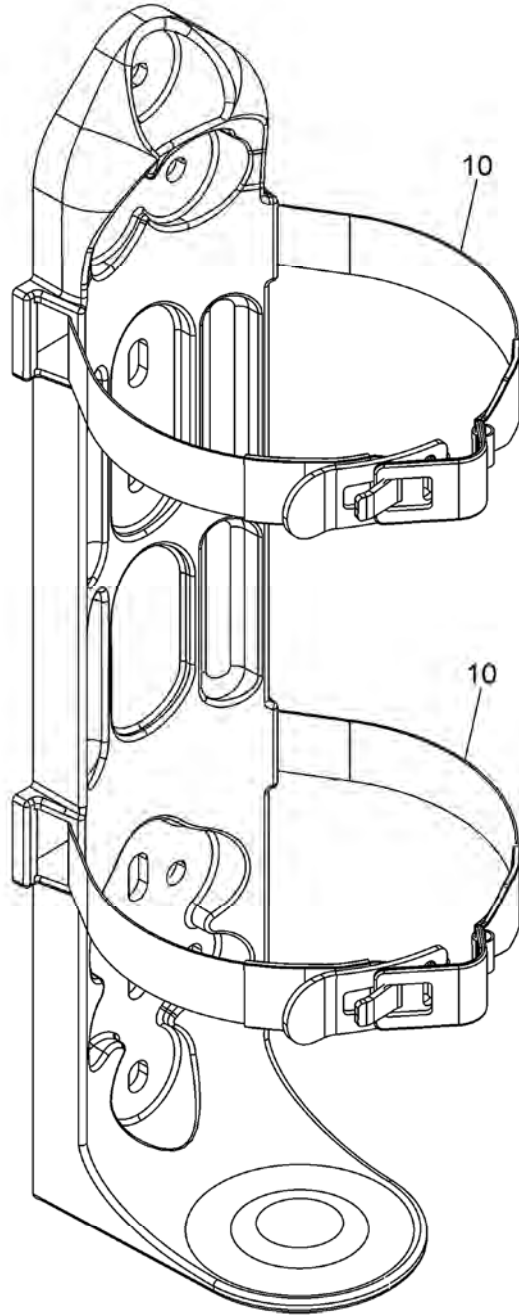
COMPONENTS MAINTENANCE MANUAL  
HAFEX BRACKETS FOR HALON ALTERNATIVE FIRE EXTINGUISHER

FIG. ITEM	PART NUMBER	AIRL. STOCK NO.	NOMENCLATURE 1234567	EFF CODE	UPA
1					
- 001A	P3APP003020A		BRACKET, HAFEX	A	RF
10	P3APP003041C		.STRAP, HAFEX	A	2

- ITEM NOT ILLUSTRATED



COMPONENTS MAINTENANCE MANUAL  
HAFEX BRACKETS FOR HALON ALTERNATIVE FIRE EXTINGUISHER



BRACKET, HAFEX  
FIGURE 1A/GRAPHIC 26-24-03-950-002-A01

26240301A01



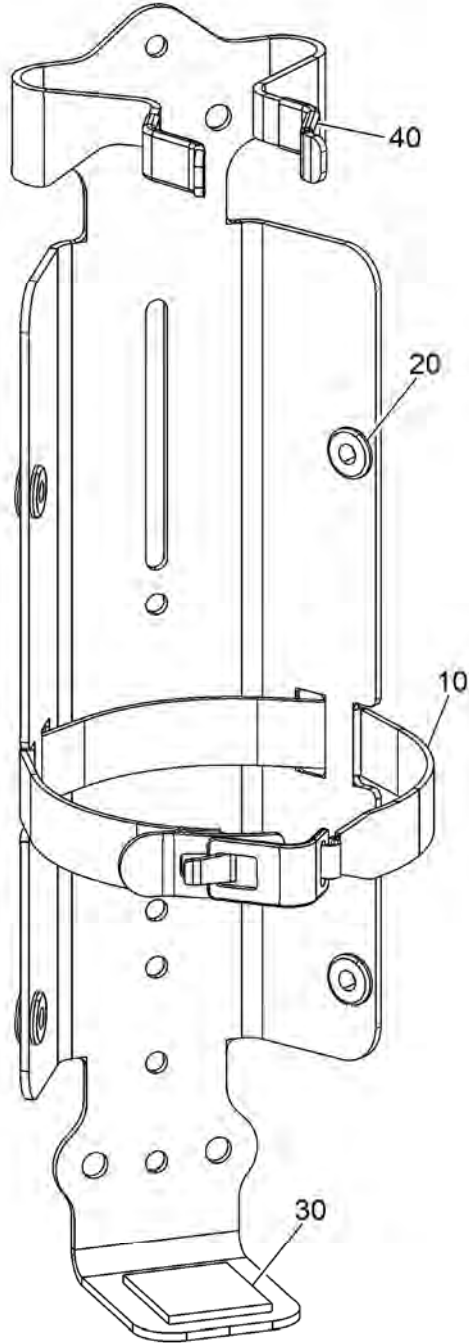
COMPONENTS MAINTENANCE MANUAL  
 HAFEX BRACKETS FOR HALON ALTERNATIVE FIRE EXTINGUISHER

FIG. ITEM	PART NUMBER	AIRL. STOCK NO.	NOMENCLATURE 1234567	EFF COD-E	UPA
1A					
- 001A	P3APP003020B		BRACKET, HAFEX	A	RF
- 001B	P3APP003020E		BRACKET, HAFEX	B	RF
- 001C	P3APP003020G		BRACKET, HAFEX	C	RF
10	P3APP003041C		.STRAP, HAFEX	A B C	2

- ITEM NOT ILLUSTRATED



COMPONENTS MAINTENANCE MANUAL  
HAFEX BRACKETS FOR HALON ALTERNATIVE FIRE EXTINGUISHER



26240301B01

BRACKET, HAFEX  
FIGURE 1B/GRAPHIC 26-24-03-950-004-A01



COMPONENTS MAINTENANCE MANUAL  
HAFEX BRACKETS FOR HALON ALTERNATIVE FIRE EXTINGUISHER

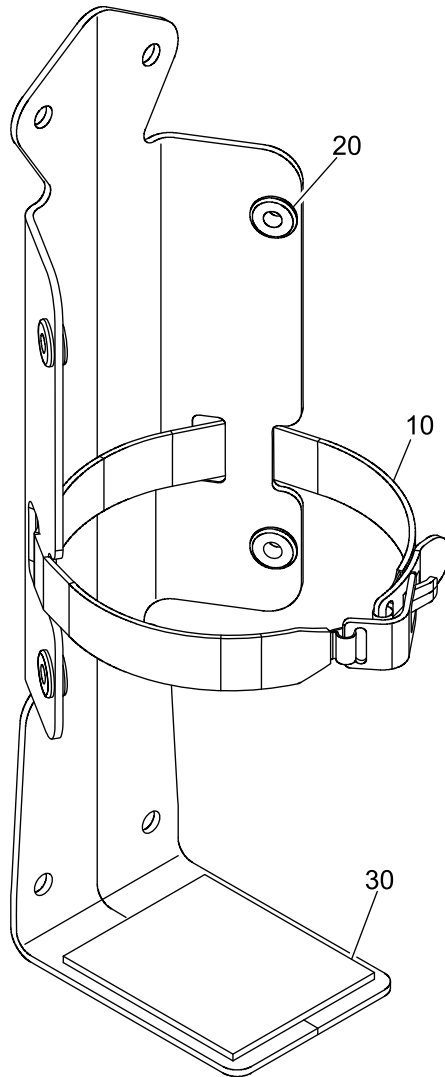
FIG. ITEM	PART NUMBER	AIRL. STOCK NO.	NOMENCLATURE 1234567	EFF COD-E	UPA
1B					
- 001A	P3APP003020D		BRACKET, HAFEX	A	RF
- 001B	P3APP003020J		BRACKET, HAFEX	B	RF
10	P3APP003041D		.STRAP, HAFEX	A B	1
20	P3PRT000845A		.GROMMET	A B	4
30	ABS5006B2E		.FOAM, SILICONE	A B	AR
40	P3PRT000288B		.SLEEVE, SHRINK	A B	2

- ITEM NOT ILLUSTRATED





COMPONENTS MAINTENANCE MANUAL  
HAFEX BRACKETS FOR HALON ALTERNATIVE FIRE EXTINGUISHER



26240301C01

BRACKET, HAFEX  
FIGURE 1C/GRAPHIC 26-24-03-950-005-A01



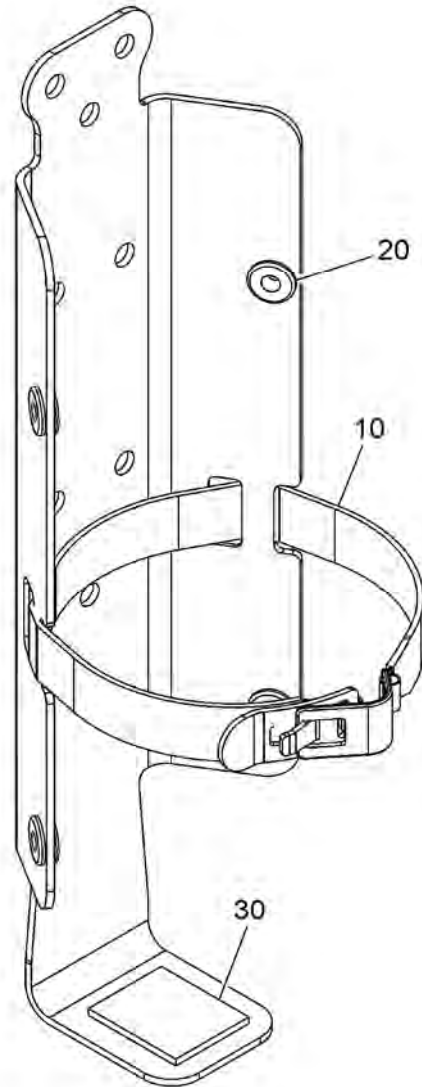
COMPONENTS MAINTENANCE MANUAL  
 HAFEX BRACKETS FOR HALON ALTERNATIVE FIRE EXTINGUISHER

FIG. ITEM	PART NUMBER	AIRL. STOCK NO.	NOMENCLATURE 1234567	EFF COD-E	UPA
1C					
- 001A	P3APP003020F		BRACKET, HAFEX	A	RF
10	P3APP003041E		.STRAP, HAFEX	A	1
20	P3PRT000845A		.GROMMET	A	4
30	ABS5006B2G		.FOAM, SILICONE	A	AR

- ITEM NOT ILLUSTRATED



COMPONENTS MAINTENANCE MANUAL  
HAFEX BRACKETS FOR HALON ALTERNATIVE FIRE EXTINGUISHER



26240301D01

BRACKET, HAFEX  
FIGURE 1D/GRAPHIC 26-24-03-950-006-A01



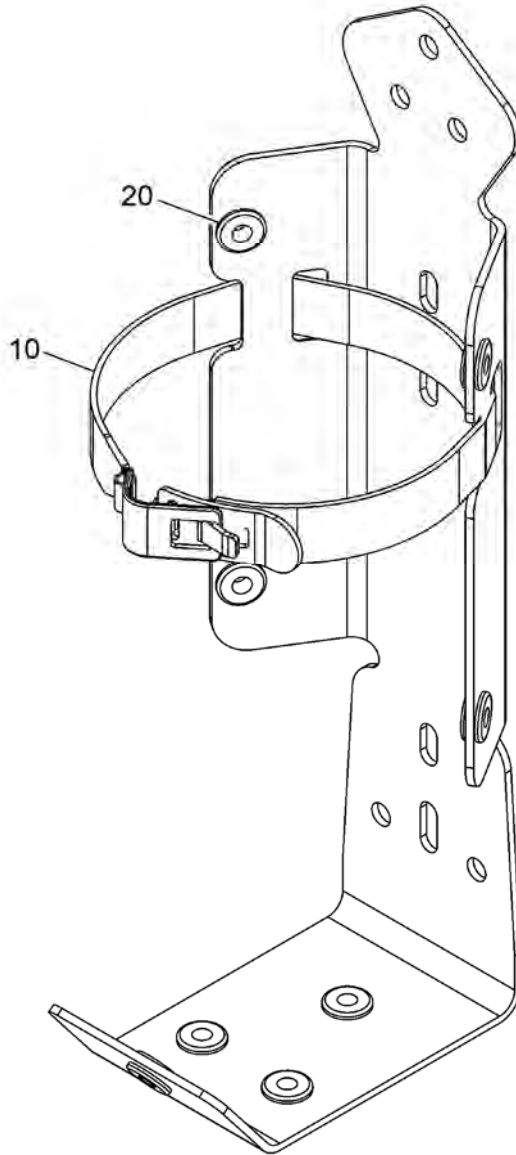
COMPONENTS MAINTENANCE MANUAL  
HAFEX BRACKETS FOR HALON ALTERNATIVE FIRE EXTINGUISHER

FIG. ITEM	PART NUMBER	AIRL. STOCK NO.	NOMENCLATURE 1234567	EFF COD-E	UPA
1D					
- 001A	P3APP003020C		BRACKET, HAFEX	A	RF
10	P3APP003041D		.STRAP, HAFEX	A	1
20	P3PRT000845A		.GROMMET	A	4
30	ABS5006B2E		.FOAM, SILICONE	A	AR

- ITEM NOT ILLUSTRATED



COMPONENTS MAINTENANCE MANUAL  
HAFEX BRACKETS FOR HALON ALTERNATIVE FIRE EXTINGUISHER



BRACKET, HAFEX  
FIGURE 1E/GRAPHIC 26-24-03-950-007-A01

26240301E01



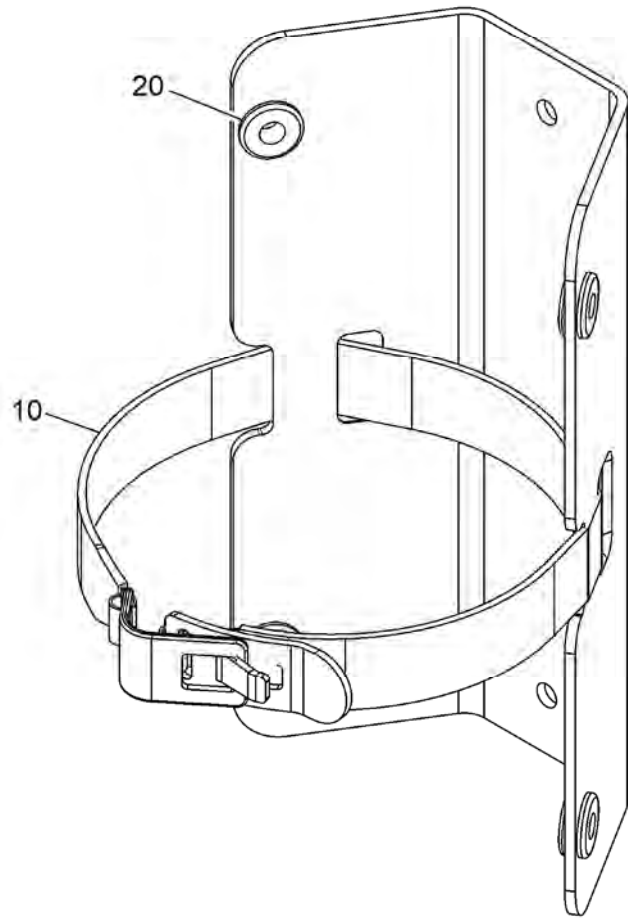
COMPONENTS MAINTENANCE MANUAL  
HAFEX BRACKETS FOR HALON ALTERNATIVE FIRE EXTINGUISHER

FIG. ITEM	PART NUMBER	AIRL. STOCK NO.	NOMENCLATURE 1234567	EFF COD-E	UPA
1E					
- 001A	P3APP003020H		BRACKET, HAFEX	A	RF
10	P3APP003041D		.STRAP, HAFEX	A	1
20	P3PRT000845A		.GROMMET	A	4

- ITEM NOT ILLUSTRATED



COMPONENTS MAINTENANCE MANUAL  
HAFEX BRACKETS FOR HALON ALTERNATIVE FIRE EXTINGUISHER



26240301F01

BRACKET, HAFEX  
FIGURE 1F/GRAPHIC 26-24-03-950-008-A01



COMPONENTS MAINTENANCE MANUAL  
HAFEX BRACKETS FOR HALON ALTERNATIVE FIRE EXTINGUISHER

FIG. ITEM	PART NUMBER	AIRL. STOCK NO.	NOMENCLATURE 1234567	EFF COD-E	UPA
1F					
- 001A	P3APP003020K		BRACKET, HAFEX	A	RF
10	P3APP003041E		.STRAP, HAFEX	A	1
20	P3PRT000845A		.GROMMET	A	4

- ITEM NOT ILLUSTRATED