

accenture



Halon-free fire extinguisher Bracket options

Halon-free fire extinguisher brackets

Overview



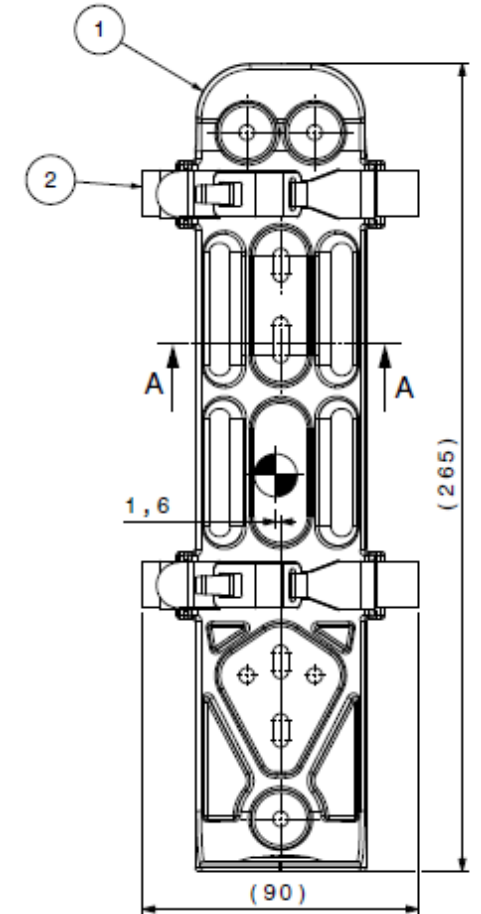
Halon-free fire extinguisher brackets.

Legacy polymeric bracket.

- **Specification:**
- Part Number: P3APP003020A
- Body Material: polymeric
- Straps: 2 metallic straps
- Weight: 0.169 kg
- Certification: UL certified



Interface points can be modified according to customer requirements

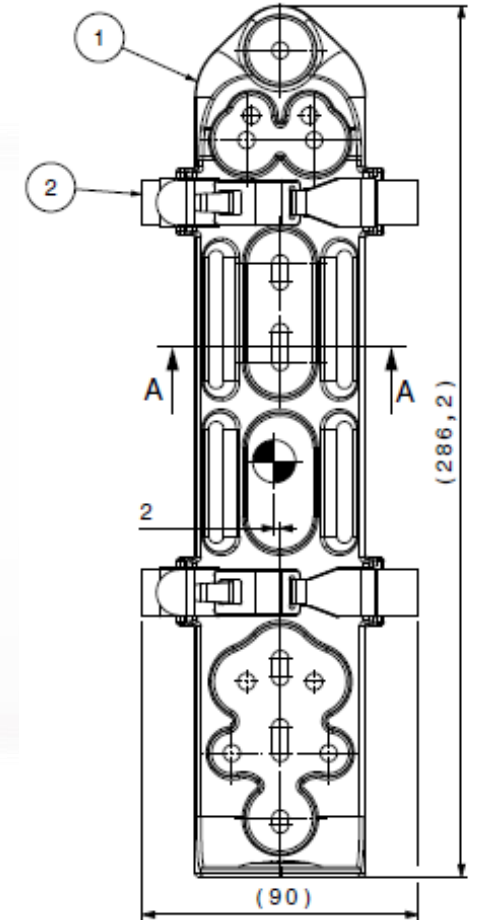


Halon-free fire extinguisher brackets.

Standard polymeric bracket.

- **Specification:**

- Part Number: P3APP003020B
- Body Material: polymeric
- Straps: 2 metallic straps
- Weight: 0.176 kg
- Certification: UL certified

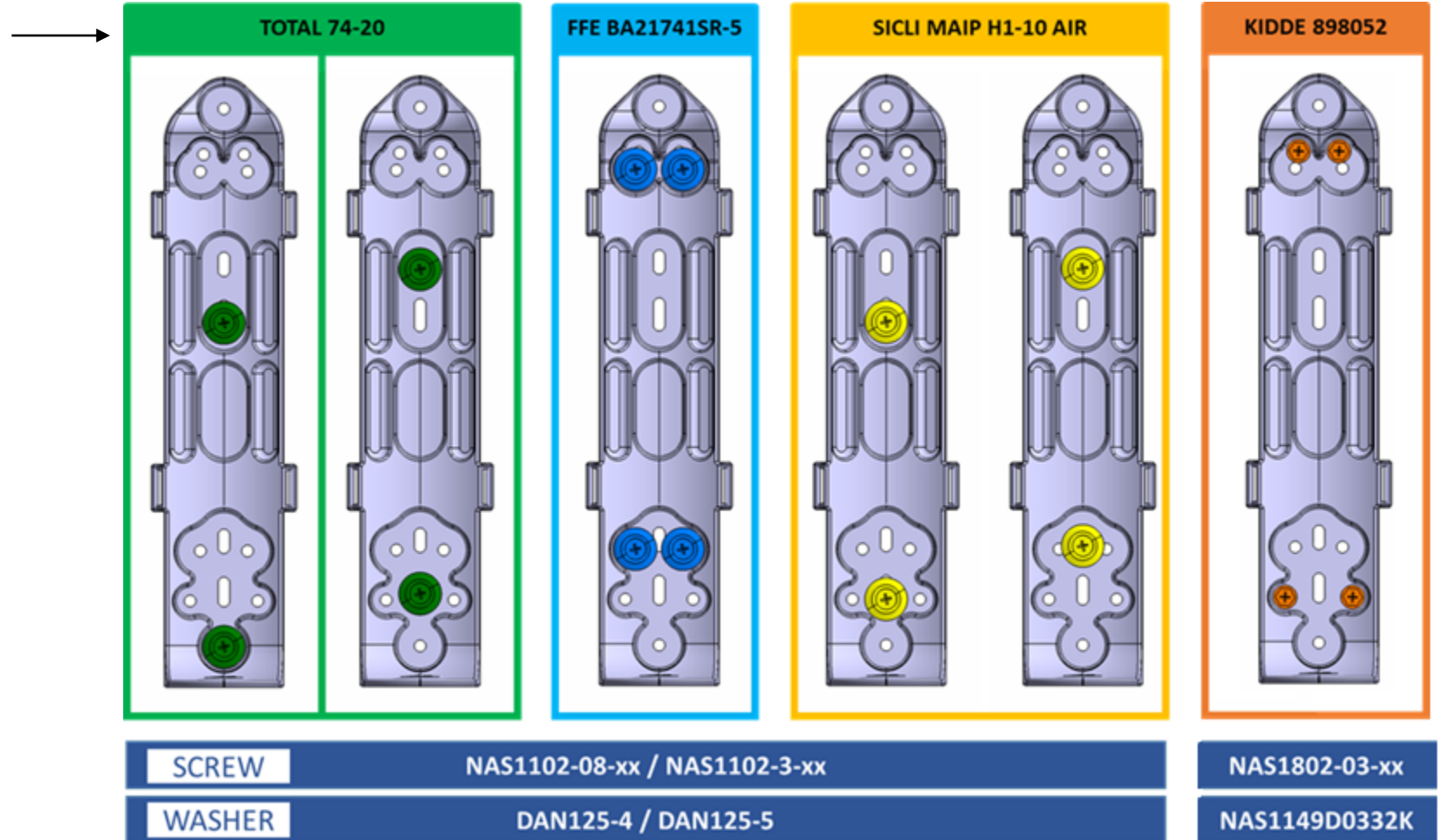


Interface points can be modified according to customer requirements

Halon-free fire extinguisher brackets.

Fixation options for P3APP003020B.

Fixation points are identical to those needed for Halon-1211 fire-extinguisher models of the following part-number:

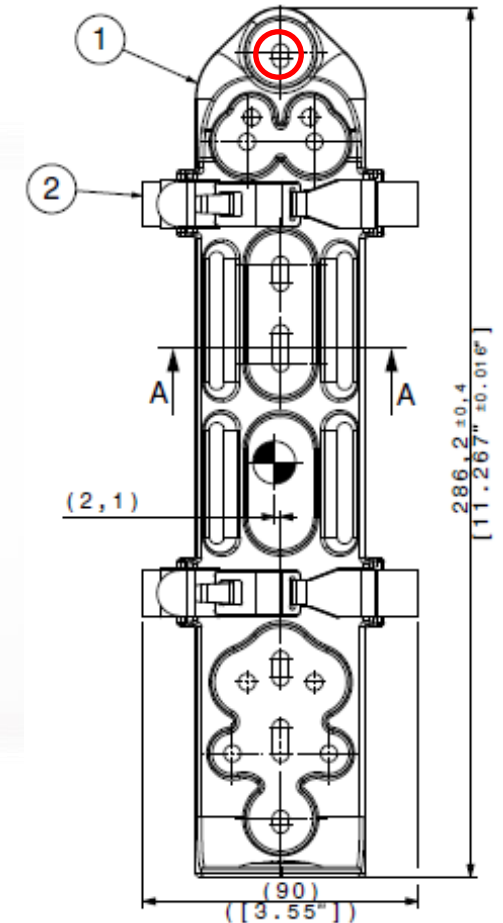


Halon-free fire extinguisher brackets.

Customized polymeric bracket

- **Specification:**

- Part Number: P3APP003020G
- Body Material: polymeric*
- Straps: 2 metallic straps
- Weight: 0.175 kg
- Certification: UL certified

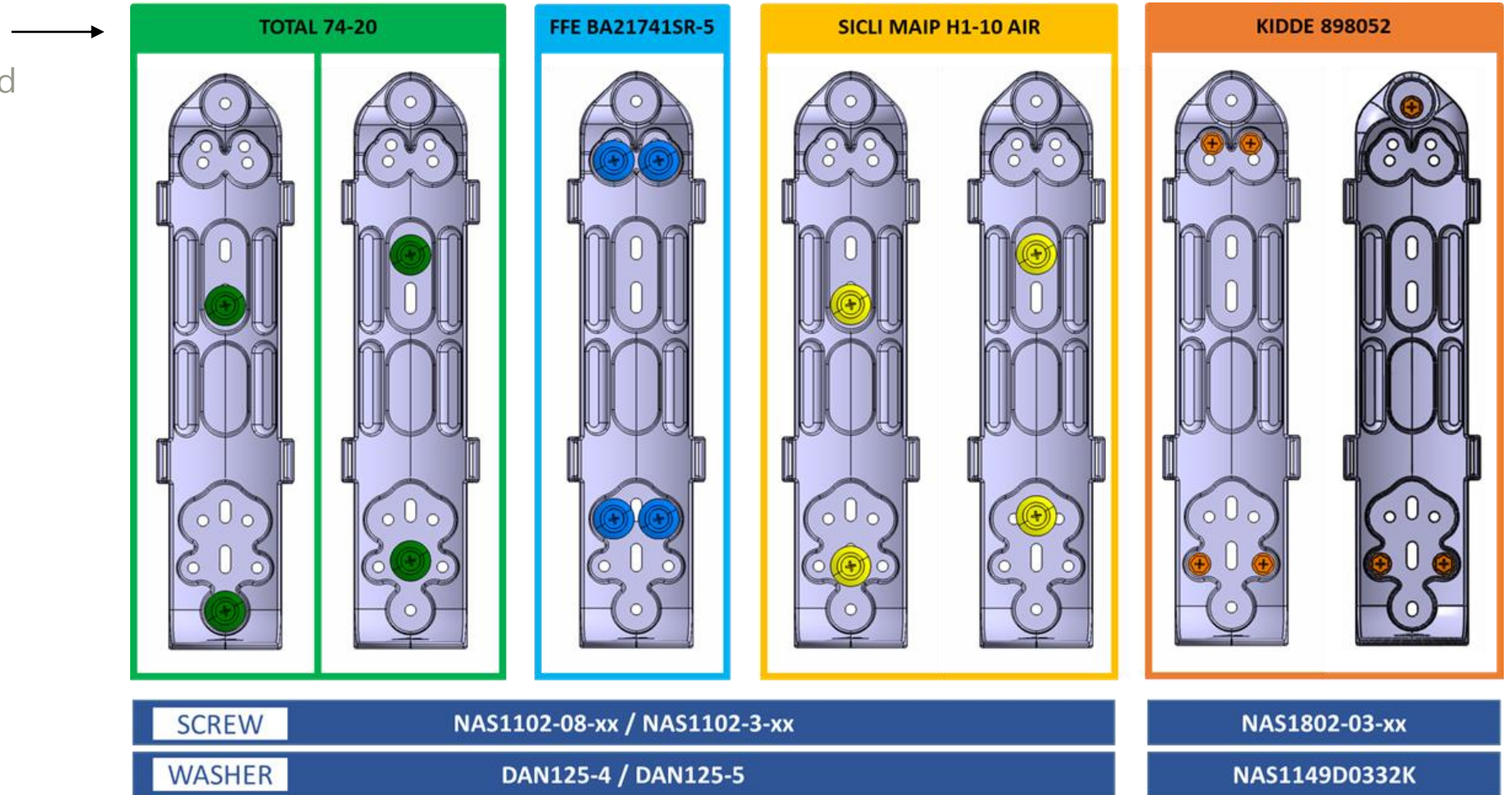


*The injection molded part is made from the injection molded part of P3APP003020B by milling of the hole marked on the right.

Halon-free fire extinguisher brackets.

Fixation options for P3APP003020B.

Fixation points are identical to those needed for Halon-1211 fire-extinguisher models of the following part-number:

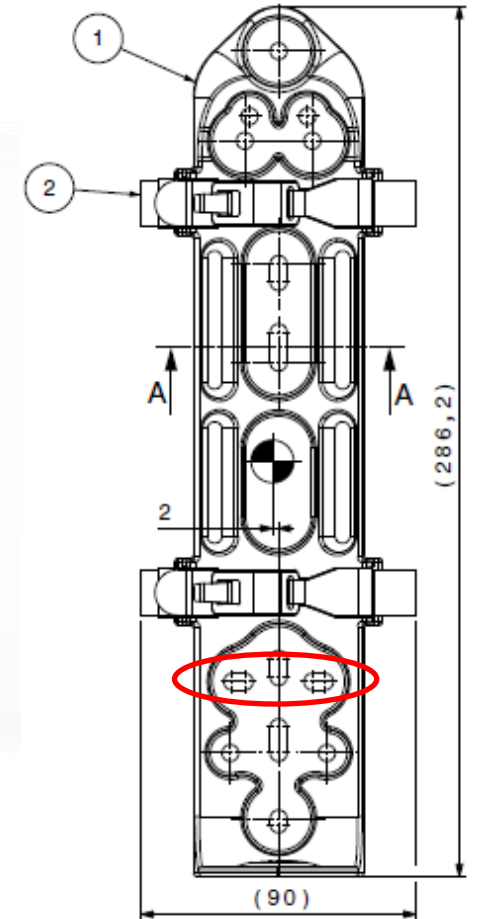


Halon-free fire extinguisher brackets.

Customer specific bracket.

- **Specification:**

- Part Number: *customer IP*
- Body Material: polymeric*
- Straps: 2 metallic straps
- Weight: 0.175 kg
- Certification: UL certified



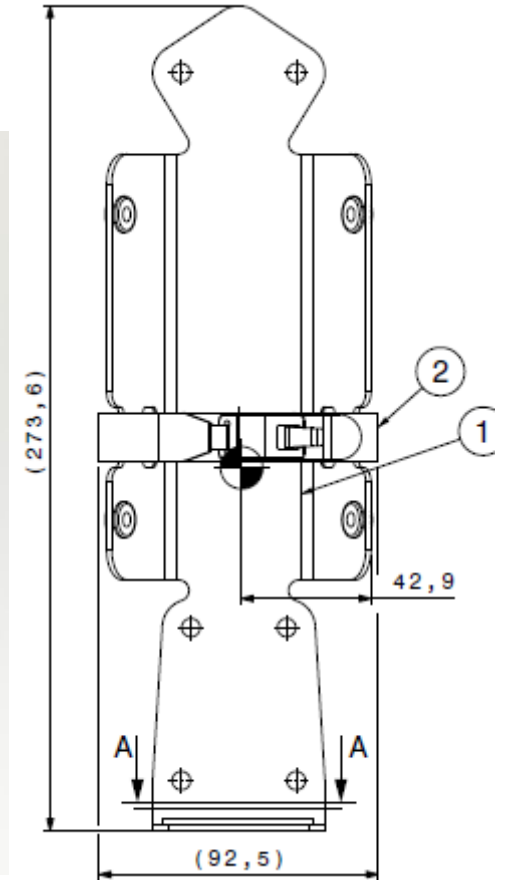
*The injection molded part is made from the injection molded part of P3APP003020B by milling of the holes marked on the right.

Halon-free fire extinguisher brackets.

Metallic bracket with one strap.

- **Specification:**

- Part Number: P3APP003020F
- Body Material: metallic
- Straps: 1 metallic straps
- Weight: 0.186 kg
- Certification: UL certified

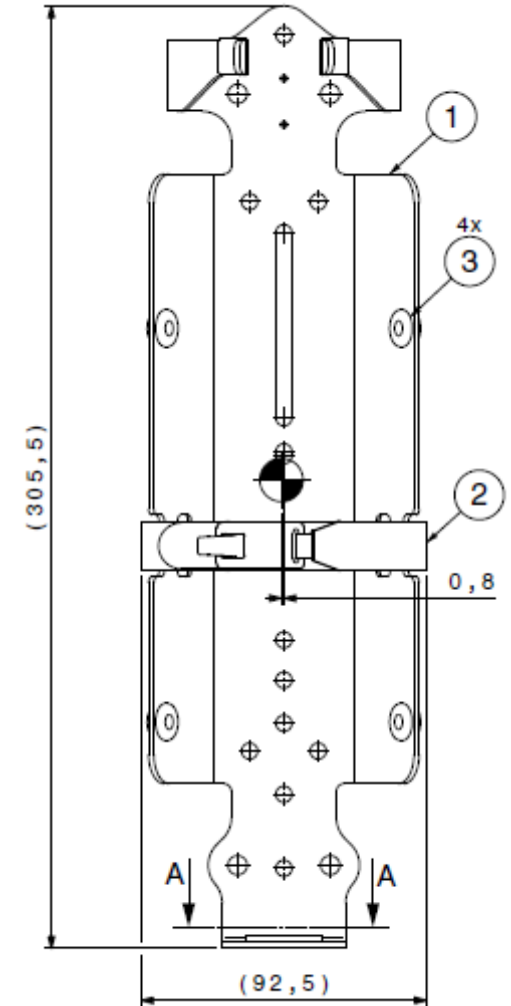


Halon-free fire extinguisher brackets.

Metallic bracket with neck support.

- **Specification:**

- Part Number: *customer IP*
- Body Material: metallic
- Straps: 1 metallic straps
- Weight: 0.232 kg
- Certification: UL certified

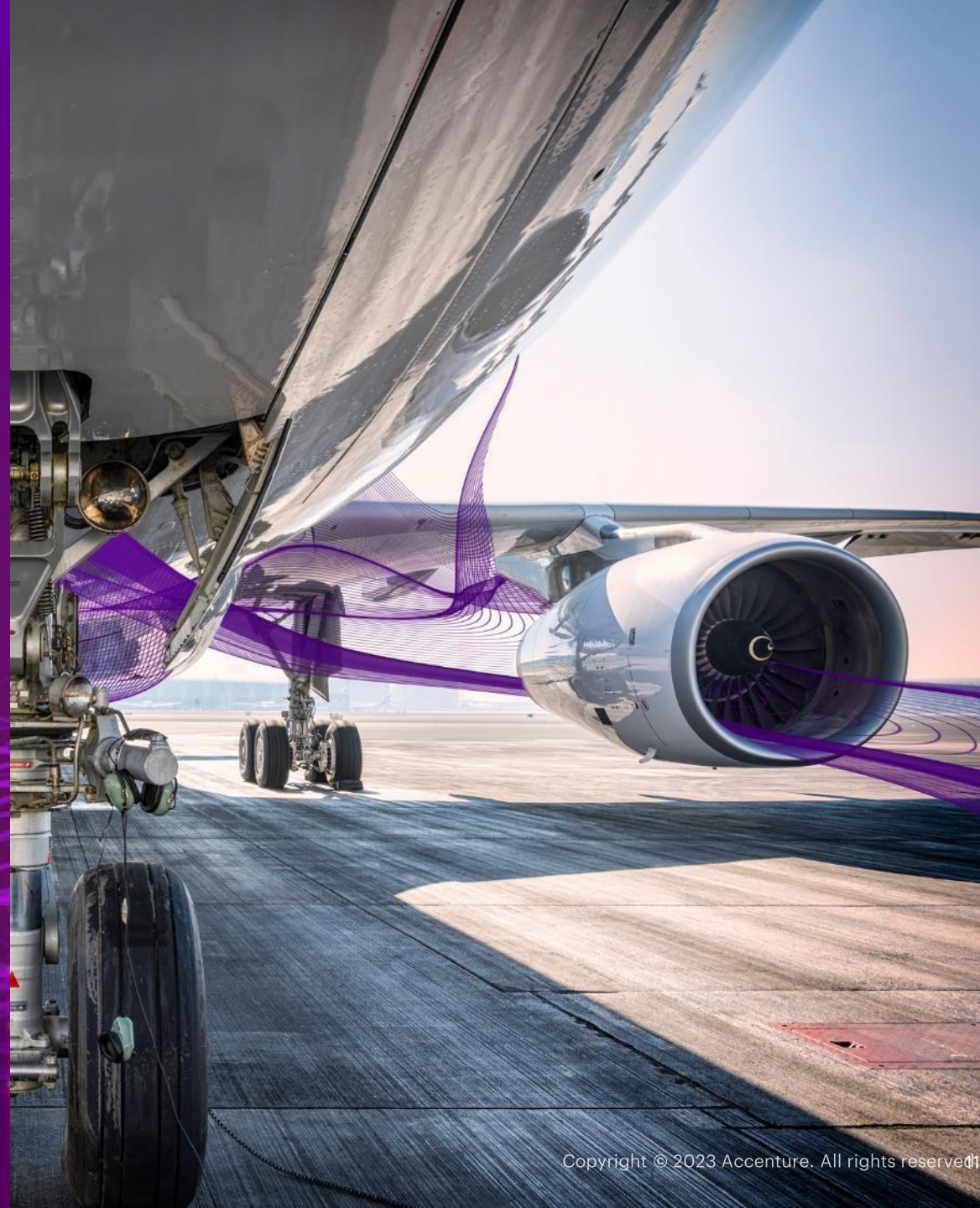




Contact

Accenture
Blohmstrasse 12
21079 Hamburg

www.accenture.com
hw.customer-service@accenture.com



Thank You



About Accenture

Accenture is a leading global professional services company that helps the world's leading businesses, governments and other organizations build their digital core, optimize their operations, accelerate revenue growth and enhance citizen services—creating tangible value at speed and scale. We are a talent and innovation led company with 738,000 people serving clients in more than 120 countries. Technology is at the core of change today, and we are one of the world's leaders in helping drive that change, with strong ecosystem relationships. We combine our strength in technology with unmatched industry experience, functional expertise and global delivery capability. We are uniquely able to deliver tangible outcomes because of our broad range of services, solutions and assets across Strategy & Consulting, Technology, Operations, Industry X and Accenture Song. These capabilities, together with our culture of shared success and commitment to creating 360° value, enable us to help our clients succeed and build trusted, lasting relationships. We measure our success by the 360° value we create for our clients, each other, our shareholders, partners and communities. Visit us at [accenture.com](https://www.accenture.com).